

ISOMAG

The friendly magmeter

DATA SHEET

MS2500



CE



Certified to
NSF/ANSI/CAN 61



ISOIL 
I N D U S T R I A




INDEX

97/23/CE PED DIRECTIVE	3
OVERALL DIMENSIONS	4
MS 2500 PN 10/64 - ANSI 150/300 OVERALL DIMENSIONS	5
SEPARATE VERSION	8
INSTALLATION RECOMMENDATIONS	9
RECOMMENDED INSTALLATION PROCEDURE	10
SENSOR GROUNDING	11
PRESSURE LOSS CALCULATION (CONES 8° ANGLES)	12
MV110/MV110W MI-001 OIML R49 CLASS1	13
MV110/MV110WMI-001 OIML R49 CLASS2	14
MV145/MV255 MI-001 OIML R49 CLASS1	16
MV145/MV255 MI-001 OIML R49 CLASS2	17
MV800MI-001 OIML R49 CLASS1	19
MV800 MI-001 OIML R49 CLASS2	19
MV110/MV110W/MV800 MI-004 CLASS1	21
HOW TO ORDER	23



The manufacturer guarantees only English text available on our web site www.isoli.com

TECHNICAL DATA

OVERALL FEATURES	
Nominal diameter	<input type="checkbox"/> DN 25 ÷ 2000
Minimum conductivity	<input type="checkbox"/> 5 µS/cm
Humidity Range	<input type="checkbox"/> 0÷100% (IP 67)
Accuracy	<input type="checkbox"/> See relevant converter data sheet
CE Certification	<input type="checkbox"/> Yes
PED	<input type="checkbox"/> Yes
STANDARD FEATURES	
Body material	<input type="checkbox"/> Carbon steel painted
Nominal pressure	<input type="checkbox"/> 1600 kPa (4000 kPa up to DN 50)
Process connection	<input type="checkbox"/> Flanges std : UNI PN 16
Version – protection rating	<input type="checkbox"/> Compact IP67 (IP68 on request)
Flanges material	<input type="checkbox"/> Carbon steel
Lining material	<input type="checkbox"/> Polipropilene (max. PN 16) <input type="checkbox"/> Ebonite <input type="checkbox"/> PTFE (max PN 40) <input type="checkbox"/> Rilsan (max. PN 16)
Gasket material (ONLY for lining in Polypropylene)	<input type="checkbox"/> FPM
Liquid temperature	<input type="checkbox"/> 0°C ÷ 70°C with Rilsan lining <input type="checkbox"/> 0°C ÷ 60°C with PP lining <input type="checkbox"/> -5°C ÷ 80°C with ebonite lining <input type="checkbox"/> -20°C ÷ 130° (100°C with PTFE lining in compact version)
Vacuum resistance	<input type="checkbox"/> 20 Kpa (absolute) at 100 °C (60/80°C for PP/Ebonite)
Electrodes material	<input type="checkbox"/> Acciaio inox AISI 316L <input type="checkbox"/> Hastelloy C276 <input type="checkbox"/> Platinum <input type="checkbox"/> Titanium <input type="checkbox"/> Tantalum
Materials Certifications	<input type="checkbox"/> WRAS, NSF, DM174
OPTIONAL FEATURES (CHECK FOR MORE DETAILS 'HOW TO ORDER' ON LAST PAGE)	
Body material	<input type="checkbox"/> Stainless steel AISI 304 or 316
Gaskets material (ONLY for lining in Polypropylene)	<input type="checkbox"/> EPDM
Nominal pressure	<input type="checkbox"/> Higher pressure rates available on request
Process connection	<input type="checkbox"/> Flanges: UNI, ANSI, DIN, JIS Others on request
Flanges material	<input type="checkbox"/> Stainless steel AISI 304 - AISI316L
Liquid temperature	<input type="checkbox"/> -20°C ÷ 180°C* with PTFE lining in separate version: * sensors with working temperature higher than 110 ° C are classified according to PED guidelines (details on table in the next page).
Lining material	<input type="checkbox"/> On request
Electrodes material	<input type="checkbox"/> On request
Grounding electrode	<input type="checkbox"/> On request
Version – protection rating	<input type="checkbox"/> Separate version (max 20m) – IP 68 <input type="checkbox"/> Separate version (max 500 m), with preamplifier – IP 67 <input type="checkbox"/> Separate version (max 500 m), with preamplifier – IP 68
MID Certifications	<input type="checkbox"/> MI-001 (check table below)  <input type="checkbox"/> MI-004 (check table below)

2014/68/UE PED DIRECTIVE

Here below the tables of wproducts subject to Directive 2014/68/UE for MS2500
 The tables show which category of PED is applicable according to the water operating temperature
 (TAB A T <110 ° C TAB B T > = 110 ° C), sensor's DN and its nominal pressure.

DN / PN CORRELATION TABLE AND PED DIRECTIVE

ONLY FOR FAMILY MS2500-MS1000 AND PN MAX 40 Bar

ONLY FOR METER WITH LINING IN PTFE

**FOR METER FAMILY MS2500 TYPE FLANGE ONLY UNI EN1092 - P245GH
 OR ASTM A105**

ONLY FOR METER FOR WATER WITH T. > 110°C

DN	PN - Nominal Pressure			
	B	C	D	E
25	USE PN 40			40
32				40
40				40
50	USE PN 16	16	USE PN 40	40
65		16		40
80		16		40
100		16		40
125		16		40
150		16		40
200		10		16
250	10	16	25	40
300	10	16	25	40
350	10	16	25	40
400	10	16	25	40
450	10	16	25	40
500	10	16	25	40

CONDITIONS TO SATISFY FOR T.> 110 ° C:

VAPOR PRESSURE p> 1.5 ATA

CAT I
32>DN<=DN100+ PS*DN> 1000<=3500
CAT II
100>DN<=250 + PS*DN>3500<=5000
CAT III
DN> 250 + PS*DN>5000

MEANING OF TABLES CODE

OUT OF PED
CAT. I
CAT. II
CAT. III
USE DIFF. PN

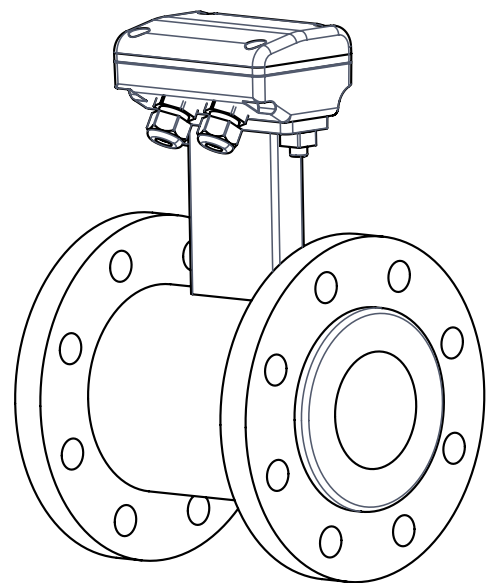
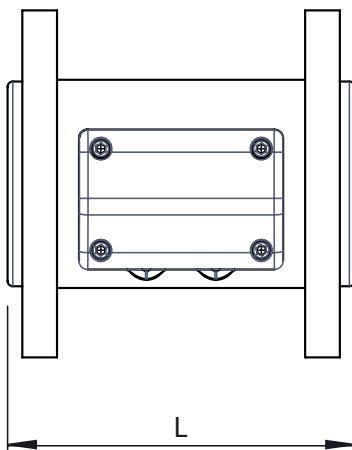
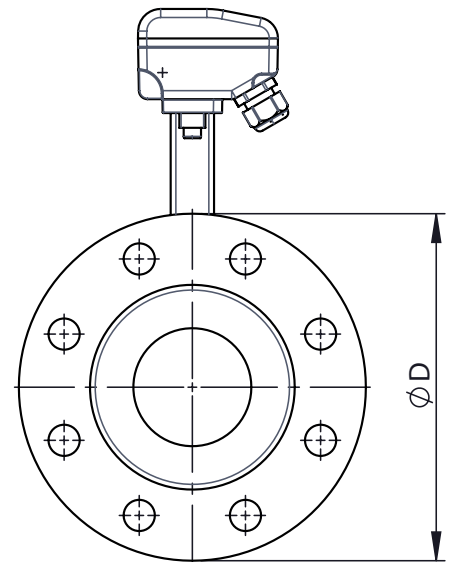
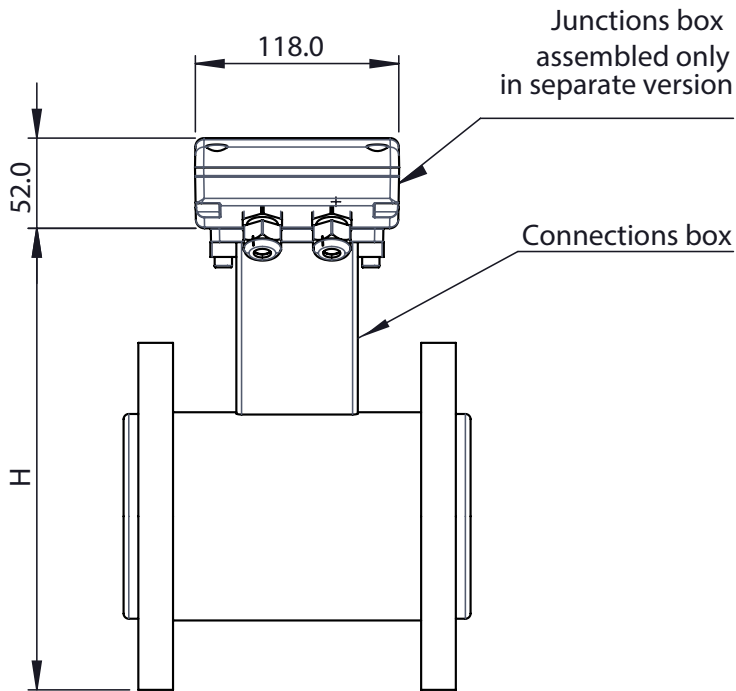
DN / PN CORRELATION TABLE AND PED DIRECTIVE

ONLY FOR METER FOR WATER WITH T.< 110°C

DN	PN - Nominal Pressure			
	B	C	D	E
25	USE PN 40			40
32				40
40				40
50	USE PN 16		USE PN 40	40
65				40
80				40
100				40
125				40
150				40
200				10
250	10	16	25	40
300	10	16	25	40
350	10	16	25	40
400	10	16	25	40
450	10	16	25	40
500	10	16	25	40
600	10	16	25	40
700	10	16	25	40
800	10	16	25	40
1000	10	16	25	40
1200	10	16	25	40
1300	10	16	25	40
1400	10	16	25	40
1500	10	16	25	40
1600	10	16	25	40
1700	10	16	25	40
1800	10	16	25	40
2000	10	16	25	40
2400	10	16	25	40

For each product is released a declaration of conformity, identified by the instrument's serial number

OVERALL DIMENSIONS



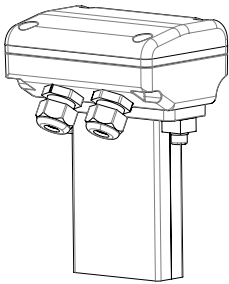
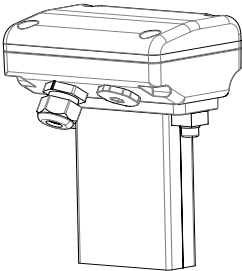
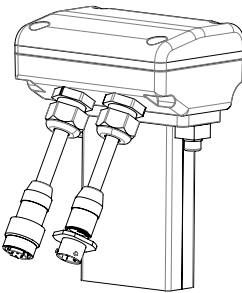
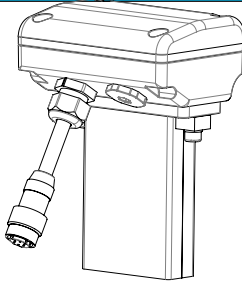
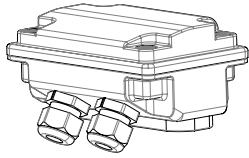
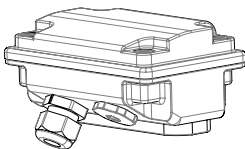
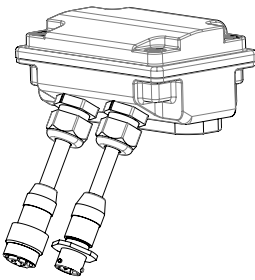
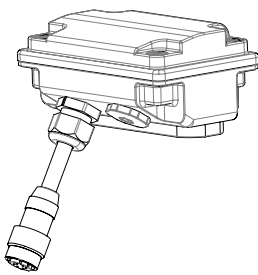
The manufacturer guarantees only English text available on our web site www.isoil.com

MS 2500 PN 10/64 - ANSI 150/300 OVERALL DIMENSIONS

DIMENSIONS mm (inches)			PN						
			PN 10	PN 16	PN 25	PN 40	PN 64	ANSI 150	ANSI 300
DN	25 (1")	L	200 (7.87)	200 (7.87)	200 (7.87)	200 (7.87)	200 (7.87)	200 (7.87)	200 (7.87)
		H	185 (7.28)	185 (7.28)	185 (7.28)	185 (7.28)	198 (7.80)	181 (7.13)	190 (7.48)
		D	115 (4.53)	115 (4.53)	115 (4.53)	115 (4.53)	140 (5.51)	108 (4.25)	124 (4.88)
	32 (1 1/4)	L	200 (7.87)	200 (7.87)	200 (7.87)	200 (7.87)	200 (7.87)	200 (7.87)	200 (7.87)
		H	203 (8)	203 (8)	203 (8)	203 (8)	209 (8.23)	192 (7.56)	199 (7.83)
		D	140 (5.51)	140 (5.51)	140 (5.51)	140 (5.51)	155 (6.10)	118 (4.65)	133 (5.24)
	40 (1 1/2)	L	200 (7.87)	200 (7.87)	200 (7.87)	200 (7.87)	200 (7.87)	200 (7.87)	200 (7.87)
		H	213 (8.39)	213 (8.39)	213 (8.39)	213 (8.39)	220 (8.66)	207 (8.15)	221 (8.7)
		D	150 (5.90)	150 (5.90)	150 (5.90)	150 (5.90)	170 (6.69)	127 (5)	156 (6.14)
	50 (2")	L	200 (7.87)	200 (7.87)	200 (7.87)	200 (7.87)	200 (7.87)	200 (7.87)	200 (7.87)
		H	228 (8.98)	228 (8.98)	228 (8.98)	228 (8.98)	233 (9.17)	222 (8.74)	228 (8.98)
		D	165 (6.50)	165 (6.50)	165 (6.50)	165 (6.50)	180 (7.09)	152 (5.98)	165 (6.5)
	65 (2 1/2)	L	200 (7.87)	200 (7.87)	200 (7.87)	200 (7.87)	200 (7.87)	200 (7.87)	200 (7.87)
		H	248 (9.76)	248 (9.76)	248 (9.76)	248 (9.76)	257 (10.12)	245 (9.65)	251 (9.88)
		D	185 (7.28)	185 (7.28)	185 (7.28)	185 (7.28)	205 (8.07)	178 (7.01)	191 (7.52)
	80 (3")	L	200 (7.87)	200 (7.87)	200 (7.87)	200 (7.87)	200 (7.87)	200 (7.87)	200 (7.87)
		H	263 (10.35)	263 (10.35)	263 (10.35)	263 (10.35)	267 (10.51)	259 (10.2)	268 (10.55)
		D	200 (7.87)	200 (7.87)	200 (7.87)	200 (7.87)	215 (8.46)	191 (7.52)	210 (8.27)
	100 (4")	L	250 (9.84)	250 (9.84)	250 (9.84)	250 (9.84)	250 (9.84)	250 (9.84)	250 (9.84)
		H	283 (11.14)	283 (11.14)	294 (11.57)	294 (11.57)	297 (11.69)	288 (11.34)	300 (11.81)
		D	220 (8.66)	220 (8.66)	235 (9.25)	235 (9.25)	250 (9.84)	229 (9.02)	254 (10)
	125 (5")	L	250 (9.84)	250 (9.84)	250 (9.84)	250 (9.84)	250 (9.84)	250 (9.84)	250 (9.84)
		H	313 (12.32)	313 (12.32)	325 (12.80)	325 (12.80)	330 (13)	315 (12.4)	328 (12.91)
		D	250 (9.84)	250 (9.84)	270 (10.63)	270 (10.63)	295 (11.61)	254 (10)	279 (10.98)
	150 (6")	L	300 (11.81)	300 (11.81)	300 (11.81)	300 (11.81)	300 (11.81)	300 (11.81)	300 (11.81)
		H	344 (13.54)	344 (13.54)	355 (13.98)	355 (13.98)	377 (14.84)	341 (13.43)	360 (14.17)
		D	285 (11.22)	285 (11.22)	300 (11.81)	300 (11.81)	345 (13.58)	279 (10.98)	318 (12.52)
	200 (8")	L	350 (13.78)	350 (13.78)	350 (13.78)	350 (13.78)	350 (13.78)	350 (13.78)	350 (13.78)
		H	399 (15.71)	399 (15.71)	415 (16.34)	425 (16.73)	435 (17.13)	401 (15.79)	420 (16.54)
		D	340 (13.39)	340 (13.39)	360 (14.17)	375 (14.76)	415 (16.34)	343 (13.5)	381 (15)
	250 (10)	L	450 (17.72)	450 (17.72)	450 (17.72)	450 (17.72)	450 (17.72)	450 (17.72)	450 (17.72)
		H	454 (17.87)	460 (18.11)	475 (18.7)	493 (19.41)	491 (19.33)	461 (18.15)	480 (18.9)
		D	395 (15.55)	405 (15.94)	425 (16.73)	450 (17.72)	470 (18.5)	406 (15.98)	445 (17.52)
	300 (12")	L	500 (19.69)	500 (19.69)	500 (19.69)	500 (19.69)	500 (19.69)	500 (19.69)	500 (19.69)
		H	504 (19.84)	515 (20.28)	535 (21.06)	558 (21.97)	545 (21.46)	527 (20.75)	546 (21.5)
		D	445 (17.52)	460 (18.11)	485 (19.09)	515 (20.28)	530 (20.87)	483 (19.02)	521 (20.51)
350 (14")	L	550 (21.65)	550 (21.65)	550 (21.65)	550 (21.65)	550 (21.65)	550 (21.65)	550 (21.65)	
	H	564 (22.2)	575 (22.64)	598 (23.54)	619 (24.37)	603 (23.74)	582 (22.91)	607 (23.9)	
	D	505 (19.88)	520 (20.47)	555 (21.85)	580 (22.83)	600 (23.62)	533 (20.98)	584 (22.99)	
400 (16")	L	600 (23.62)	600 (23.62)	600 (23.62)	600 (23.62)	600 (23.62)	600 (23.62)	600 (23.62)	
	H	620 (24.41)	630 (24.8)	659 (25.94)	695 (27.36)	670 (26.38)	639 (25.16)	664 (26.14)	
	D	565 (22.24)	580 (22.83)	62 (2.44)	660 (25.98)	670 (26.38)	597 (23.5)	648 (25.51)	
450 (18")	L	600 (23.62)	600 (23.62)	600 (23.62)	600 (23.62)		600 (23.62)	600 (23.62)	
	H	670 (26.38)	690 (27.17)	709 (27.91)	720 (28.35)		688 (27.09)	726 (28.58)	
	D	615 (24.21)	640 (25.2)	670 (26.38)	685 (26.97)		635 (25)	711 (27.99)	
500 (20")	L	600 (23.62)	600 (23.62)	600 (23.62)	600 (23.62)		600 (23.62)	600 (23.62)	
	H	725 (28.54)	758 (29.84)	769 (30.28)	784 (30.87)		751 (29.57)	770 (30.31)	
	D	670 (26.38)	715 (28.15)	730 (28.74)	755 (29.72)		699 (27.52)	775 (30.51)	

DIMENSIONS mm (inches)			PN						
			PN 10	PN 16	PN 25	PN 40	PN 64	ANSI 150	ANSI 300
DN	600 (24")	L	600 (23.62)	600 (23.62)	600 (23.62)	600 (23.62)		600 (23.62)	600 (23.62)
		H	830 (32.68)	879 (34.61)	880 (34.65)	911 (35.87)		866 (34.09)	916 (36.06)
		D	780 (30.71)	840 (33.07)	845 (33.27)	890 (35.04)		813 (32.01)	914 (35.98)
	650 (26")	L						650 (25.59)	650 (25.59)
		H						921 (36.26)	1002 (39.45)
		D						870 (34.25)	972 (38.27)
	700 (28")	L	700 (27.56)	700 (27.56)	700 (27.56)	700 (27.56)		700 (27.56)	
		H	925 (36.41)	949 (37.36)	989 (38.94)	1016 (40)		1016 (40)	
		D	895 (35.24)	910 (35.83)	960 (37.8)	995 (39.17)		927,1 (36,5)	
	750 (30")	L						750 (29.53)	750 (29.53)
		H						1032 (40.63)	1121 (44.13)
		D						984 (38.74)	1092 (42.99)
	800 (32")	L	800 (31.5)	800 (31.5)	800 (31.5)	800 (31.5)		800 (31.5)	
		H	1058 (41.65)	1060 (41.73)	1106 (43.54)	1149 (45.24)		1149 (45.24)	
		D	1015 (39.96)	1025 (40.35)	1085 (42.72)	1114 (43.86)		1060,5 (47,15)	
	850 (34")	L						850 (33.46)	850 (33.46)
		H						1149 (45.24)	1230 (48.43)
		D						1111 (43.74)	1207 (47.52)
	900 (36")	L	900 (35.43)	900 (35.43)	900 (35.43)	900 (35.43)		900 (35.43)	900 (35.43)
		H	1158 (45.59)	1160 (45.67)	1206 (47.48)	1259 (49.57)		1206 (47.48)	1292 (50.87)
		D	1115 (43.9)	1125 (44.29)	1185 (46.65)	1250 (49.21)		1168 (45.98)	1270 (50)
	1000 (40")	L	1000 (39.37)	1000 (39.37)	1000 (39.37)	1000 (39.37)		1000 (39.37)	1000 (39.37)
		H	1269 (49.96)	1284 (50.55)	1329 (52.32)	1369 (53.9)		1381 (54.37)	1467 (57.76)
		D	1230 (48.43)	1255 (49.41)	1320 (51.97)	1360 (53.54)		1346 (52.99)	1448 (57.01)
	1050 (42")	L						1050 (41.3)	
		H						1355.0 (54.00)	
		D						1346.2 (53.00)	
1100 (44")	L						1100 (43.3)		
	H						1428 (56.25)		
	D						1403.4 (55.25)		
1200 (48")	L						1200 (47.24)		
	H						1530 (60.50)		
	D						1511.3 (59.50)		
1800 (72")	L						1800 (72.00)		
	H						1381 (54.37)		
	D						2197 (86.50)		

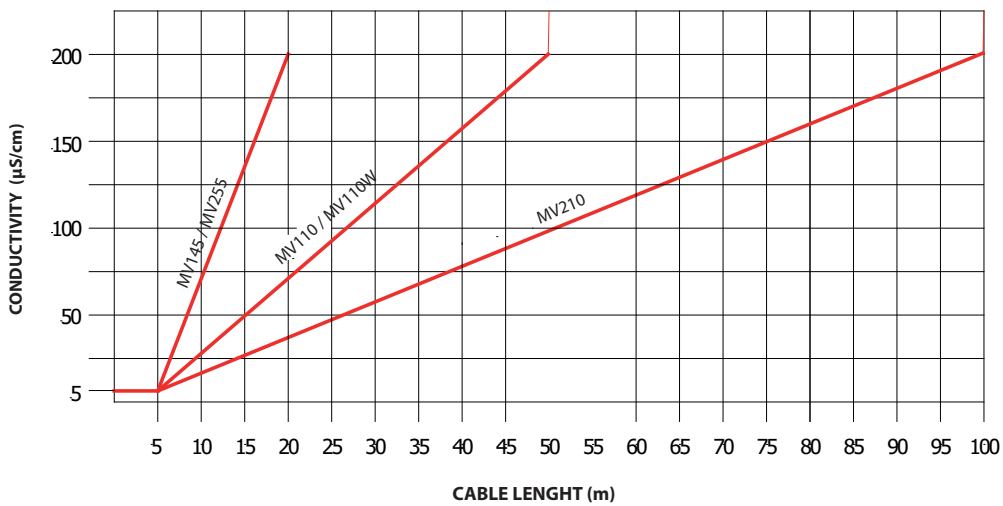
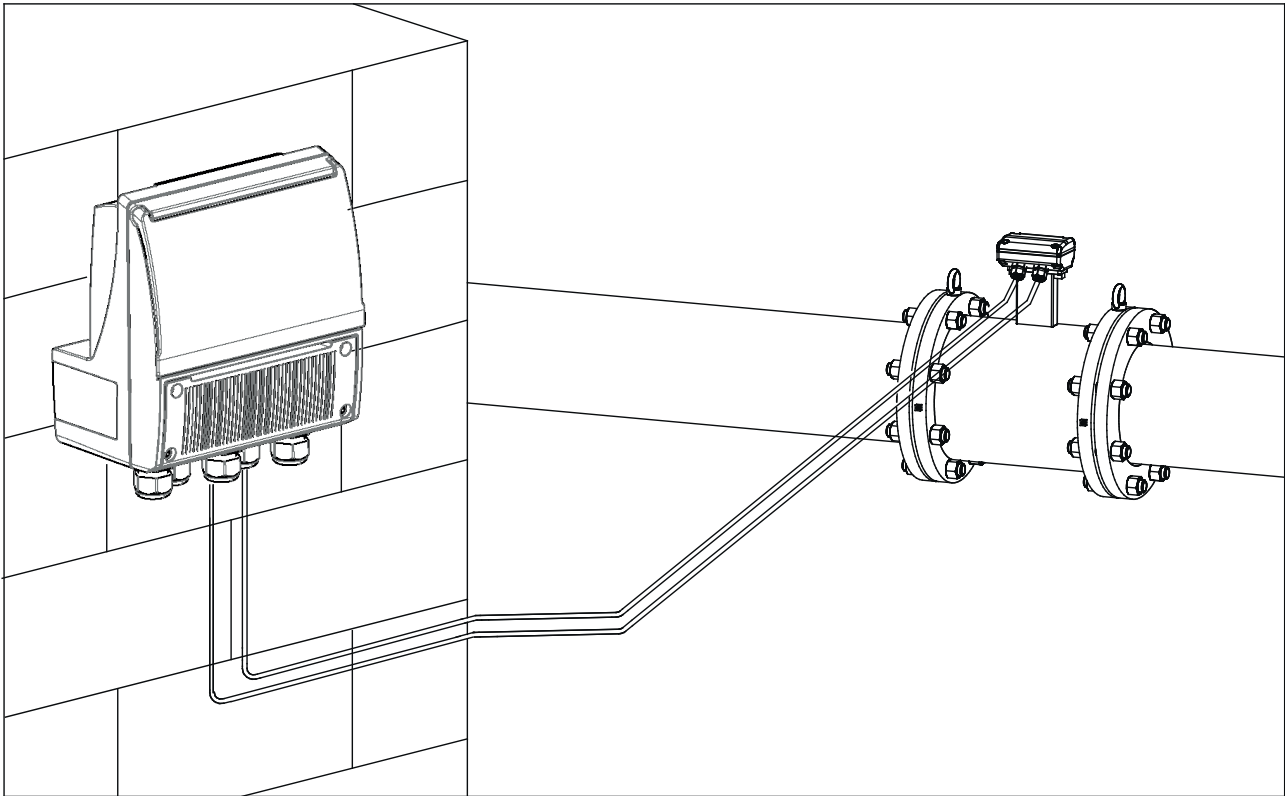
The manufacturer guarantees only English text available on our web site www.isoil.com

	1	2	3	4
A PAINTED ALUMINIUM				
B AISI 304				

The manufacturer guarantees only English text available on our web site www.isomag.com

PRICE LIST OPTIONS	JUNCTION BOX TYPE (surface finish)
A	Without junction box, converter connected on the connections box
B	A-1 A-2 only for MV110
G	A-4
F	A-3
N	A-2 with preamplifier
Q	A-4 with preamplifier
U	B-1 (raw) B-2 only for ML110 (raw)
S	B-4 (raw)
T	B-3 (raw)
P	B-2 with preamplifier (raw)
R	B-4 with preamplifier (raw)
K	B-1 (polished) B-2 only for ML110 (polished)
Y	B-4 (polished)
W	B-3 (polished)
V	B-2 with preamplifier (polished)
J	B-4 with preamplifier (polished)

SEPARATE VERSION



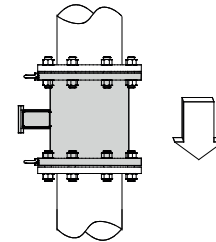
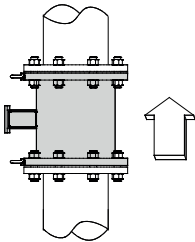
Notes:

- It is recommended to install the connection cables away from, or protect against sources of electromagnetic noise.
- The minimum conductivity of the liquid medium to ensure correct functionality of the empty pipe detection is 20 µS/cm

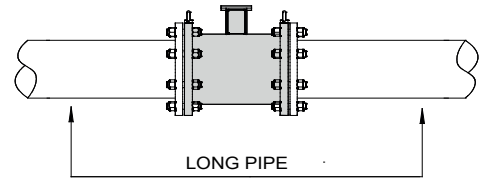
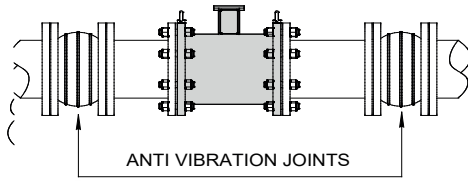
The manufacturer guarantees only English text available on our web site www.isoil.com

INSTALLATION RECOMMENDATIONS

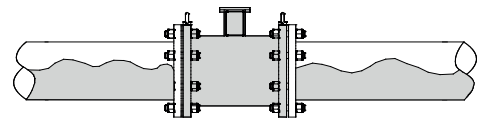
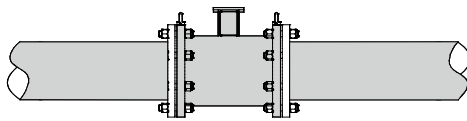
In vertical installations an ascending flow is preferable.
For vertical installations with descending flowdirection contact the manufacturer



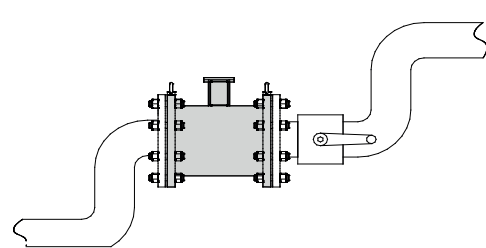
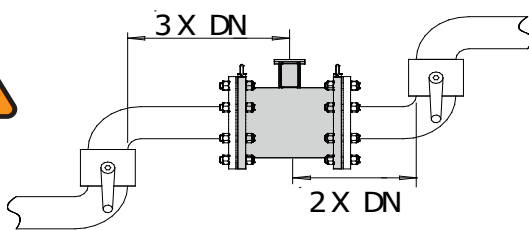
For installations in long pipe lines, please use anti vibration joints



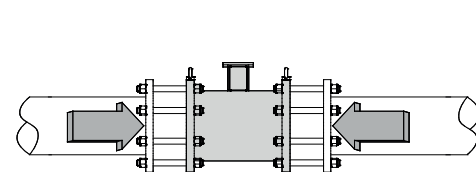
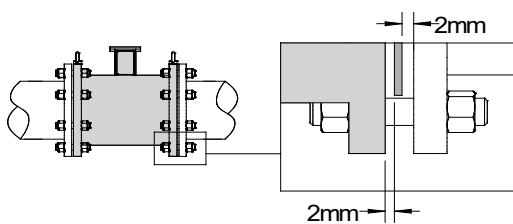
Avoid a partially empty pipe, during operation the pipe must be either completely full of liquid or completely empty



Install the sensor away from bends and hydraulic accessories



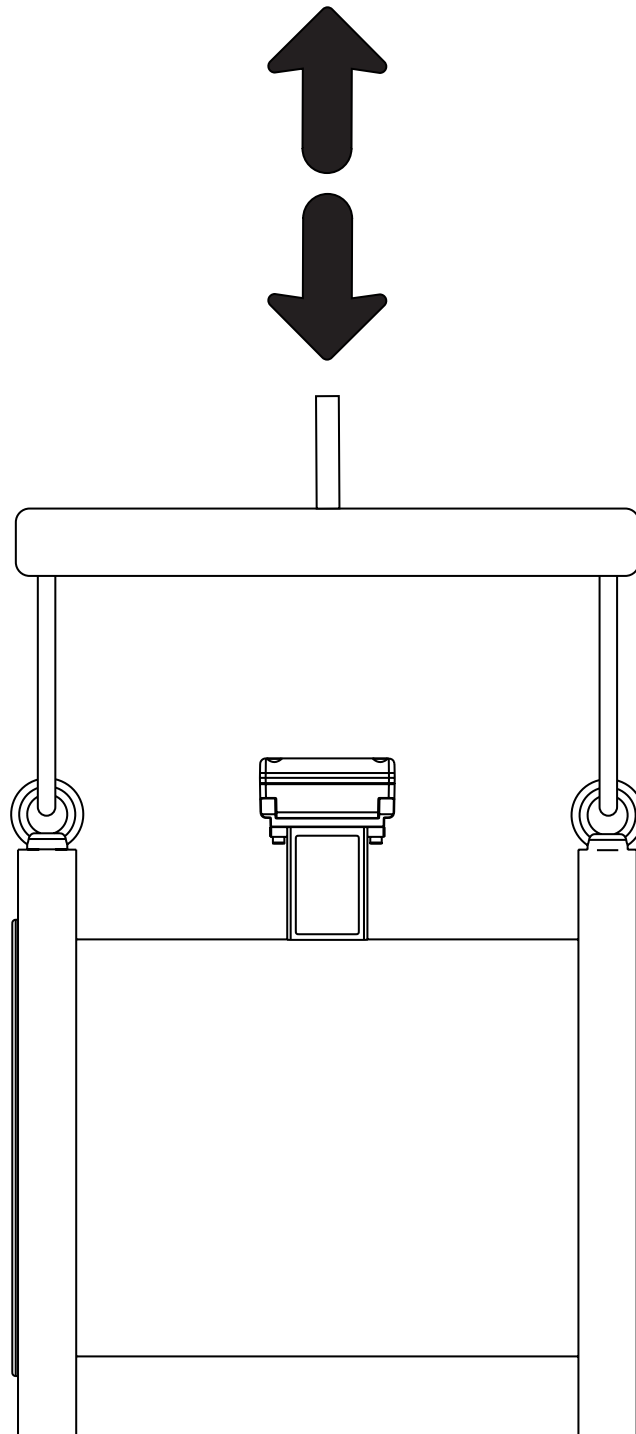
Avoid positioning flanges by tightening the nuts



RECOMMENDED INSTALLATION PROCEDURE

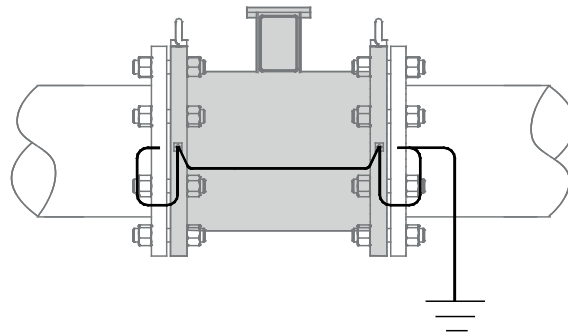
Sensors weighing more than 20Kg are equipped of appropriate eyebolts to lift the sensor according to the drawing above.

The eyebolts support ONLY the weight of the meter.

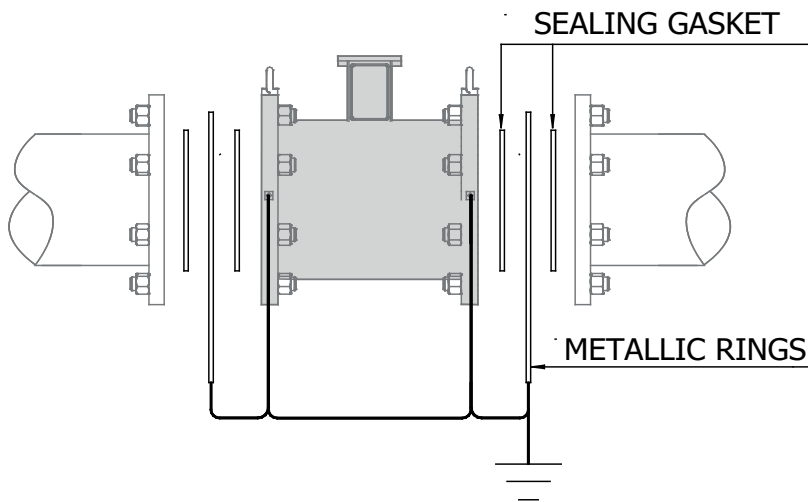


SENSOR GROUNDING

METALLIC PIPE



INSULATED PIPE



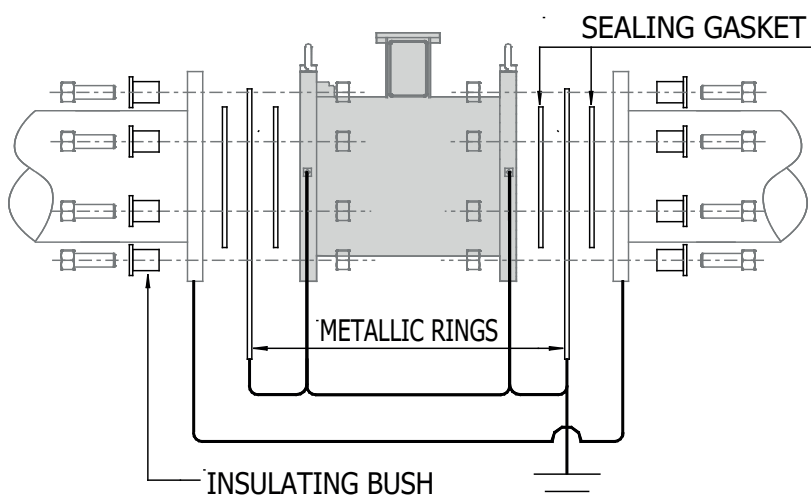
If the sensor has to be installed in a pipe made of an insulating material, the following are necessary:

- Inserting two metallic rings between the sensor flanges and the pipe line counter flanges

or:

- Using a sensor with the additional grounding electrode

PIPE WITH CATHODIC PROTECTION

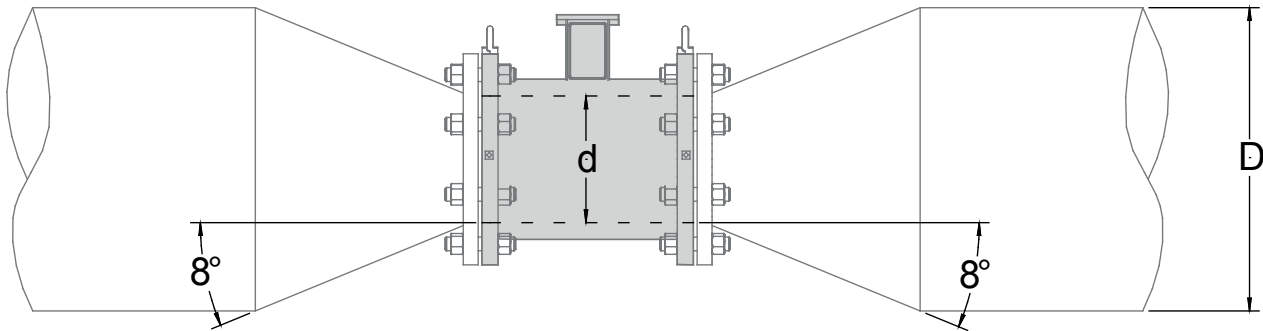


If the sensor has to be installed in the pipe with a cathodic protection, the following are necessary:

- using insulating bushes to isolate the bolts

Metallic grounding rings should be provided to ground the liquid using insulating gasket between the rings

PRESSURE LOSS CALCULATION (CONES 8° ANGLES)



$$\Delta p = \left[0.10 + 0.20 \left(\left(\frac{d}{D} \right)^{-2} - 1 \right) \left(\frac{d}{D} \right)^4 \right] \left(\rho \frac{u^2}{2} \right)$$

Were:

- Δp = Pressure loss in [Pa]
- ρ = Fluid density [kg/m³] typical value $\rho = 1000$ [kg/m³]
- d = sensor diameter [m]
- D = pipe diameter (greater than sensor diameter) [m]
- u = Mean flow velocity in sensor diameter [m/s]

Calculation examples Δp [mbar]								
d/D \ u	1 [m/s]	2 [m/s]	3 [m/s]	4 [m/s]	5 [m/s]	6 [m/s]	7 [m/s]	8 [m/s]
0.5	1.1	4.3	9.6	17	26.6	38.3	52.1	68
0.6	0.9	3.6	8.2	14.6	22.7	32.7	44.6	58.2
0.7	0.8	3	6.8	12.2	19	27.4	37.2	48.6
0.8	0.6	2.5	5.7	10.1	15.7	22.7	30.9	40.3
0.9	0.5	2.1	4.8	8.6	13.4	19.3	26.3	34.3

Notes:

- $\rho = 1000$ [kg/m³] as goodness approximation of water density in common use
- Inner diameter of sensor is used for d , express in meters.
- Indeed pressure loss equation is dimensionally correct in [Pa]. The equation results in table are show in [mbar].

MV110 / MV110W

MI-001 OIML R49 CLASS1

The **MS2500** sensor's diameters listed below, coupled with **MV110/MV110W**, are certified according to European Directive 2014/32/EU category MI-001 (OIML R49)

SIZE		Q3	Q2	Q1	R
mm	inch	m3/h			Q3/Q1
25	1	16	0,26	0,16	100
32	1 ¼	25	0,40	0,25	
40	1 ½	40	0,64	0,40	
50	2	63	1,01	0,63	
65	2 ½	100	1,6	1,00	
80	3	160	2,6	1,60	
100	4	250	4,0	2,50	
125	5	400	6,4	4,00	
150	6	630	10,1	6,30	
200	8	1000	16	10,00	
250	10	1600***	26	16,0	
300	12	2500**	40	25	
350	14	2500**	40	25	
400	16	4000**	64	40	
450	18	4000**	64	40	
500	20	6300	101	63	
600	24	10000	160	100	
700	28	10000	160	100	
800	32	16000*	256	160	
900	36	16000*	256	160	
1000	42	25000*	400	250	

SIZE		Q3	Q2	Q1	R
mm	inch	m3/h			Q3/Q1
25	1	16	0,10	0,064	250
32	1 ¼	25	0,16	0,10	
40	1 ½	40	0,26	0,16	
50	2	63	0,40	0,25	
65	2 ½	100	0,64	0,40	
80	3	160	1,0	0,64	
100	4	250	1,6	1,0	
125	5	400	2,6	1,6	
150	6	630	4,0	2,5	
200	8	1000	6,4	4,0	
250	10	1600***	10	6,4	
300	12	2500**	16	10	
350	14	2500**	16	10	
400	16	4000**	26	16	
450	18	4000**	26	16	
500	20	6300	40	25	
600	24	10000	64	40	
700	28	10000	54	40	
800	32	16000*	102	64	
900	36	16000*	102	64	
1000	42	25000*	160	100	

(*) : Calibration flowrate 14000 m3/h - as for max rig flowrate L8

(**) : Calibration flowrate 1400 m3/h - as for max test rig flowrate L7

(***) Calibration flowrate 1100 m3/h - as for max test rig flowrate L6

MV110 / MV110W

MI-001 OIML R49 CLASS2

The **MS2500** sensor's diameters listed below, coupled with **MV110/MV110W**, are certified according to European Directive 2014/32/EU category MI-001 (OIML R49)

SIZE		Q3	Q2	Q1	R
mm	inch	m3/h			Q3/Q1
25	1	16	0,16	0,10	160
32	1 ¼	25	0,25	0,16	
40	1 ½	40	0,40	0,25	
50	2	63	0,63	0,39	
65	2 ½	100	1,0	0,63	
80	3	160	1,6	1,0	
100	4	250	2,5	1,6	
125	5	400	4,0	2,5	
150	6	630	6,3	3,9	
200	8	1000	10	6,3	
250	10	1600 ^{***}	16	10	
300	12	2500 ^{**}	25	15,625	
350	14	2500 ^{**}	25	15,625	
400	16	4000 ^{**}	40	25	
450	18	4000 ^{**}	40	25	
500	20	6300	63	39,375	
600	24	10000	100	62,5	
700	28	10000	100	62,5	
800	32	16000 [*]	160	100	
900	36	16000 [*]	160	100	
1000	42	25000 [*]	250	156,25	

SIZE		Q3	Q2	Q1	R
mm	inch	m3/h			Q3/Q1
25	1	16	0,10	0,06	250
32	1 ¼	25	0,16	0,10	
40	1 ½	40	0,26	0,16	
50	2	63	0,40	0,25	
65	2 ½	100	0,64	0,40	
80	3	160	1,0	0,64	
100	4	250	1,6	1,0	
125	5	400	2,6	1,6	
150	6	630	4,0	2,5	
200	8	1000	6,4	4,0	
250	10	1600 ^{***}	10	6,4	
300	12	2500 ^{**}	16	10	
350	14	2500 ^{**}	16	10	
400	16	4000 ^{**}	26	16	
450	18	4000 ^{**}	26	16	
500	20	6300	40	25	
600	24	10000	64	40	
700	28	10000	54	40	
800	32	16000 [*]	102	64	
900	36	16000 [*]	102	64	
1000	42	25000 [*]	160	100	

(*) : Calibration flowrate 14000 m3/h - as for max rig flowrate L8

(**) : Calibration flowrate 1400 m3/h - as for max test rig flowrate L7

(***) Calibration flowrate 1100 m3/h - as for max test rig flowrate L6

The **MS2500** sensor's diameters listed below, coupled with **MV110/MV110W**, are certified according to European Directive 2014/32/EU category MI-001 (OIML R49)

SIZE		Q3	Q2	Q1	R
mm	inch	m3/h			Q3/Q1
25	1	16	0,06	0,04	400
32	1 ¼	25	0,10	0,06	
40	1 ½	40	0,16	0,10	
50	2	63	0,25	0,16	
65	2 ½	100	0,40	0,25	
80	3	160	0,64	0,40	
100	4	250	1,0	0,63	
125	5	400	1,6	1,0	
150	6	630	2,5	1,6	
200	8	1000	4,0	2,5	
250	10	1600***	6,4	4,0	
300	12	2500**	10	6,3	
350	14	2500**	10	6,3	
400	16	4000**	16	10	
450	18	4000**	16	10	
500	20	6300	25	16	
600	24	10000	40	25	
700	28	10000	40	25	
800	32	16000*	64	40	
900	36	16000*	64	40	
1000	42	25000*	100	63	

(*) : Calibration flowrate 14000 m3/h - as for max rig flowrate L8

(**) : Calibration flowrate 1400 m3/h - as for max test rig flowrate L7

(***) Calibration flowrate 1100 m3/h - as for max test rig flowrate L6

MV145 / MV255

MI-001 OIML R49 CLASS1

The **MS2500** sensor's diameters listed below, coupled with **MV145/MV255**, are certified according to European Directive 2014/32/EU category MI-001 (OIML R49)

SIZE		Q3	Q2	Q1	R
mm	inch	m3/h			Q3/Q1
25	1	16	0,32	0,20	80
32	1 ¼	25	0,50	0,31	
40	1 ½	40	0,80	0,50	
50	2	63	1,3	0,79	
65	2 ½	100	2	1,25	
80	3	160	3,2	2	
100	4	250	5,0	3,13	
125	5	400	8,0	5,0	
150	6	630	13	7,88	
200	8	1000	20	12,50	
250	10	1600***	32	20	
300	12	2500**	50	31,25	
350	14	2500**	50	31,25	
400	16	4000**	80	50	
450	18	4000**	80	50	
500	20	6300	126	78,75	
600	24	10000	200	125	
700	28	10000	200	125	
800	32	16000*	320	200	
900	36	16000*	320	200	
1000	42	25000*	500	312,5	

SIZE		Q3	Q2	Q1	R
mm	inch	m3/h			Q3/Q1
25	1	16	0,26	0,16	100
32	1 ¼	25	0,40	0,25	
40	1 ½	40	0,64	0,40	
50	2	63	1,0	0,63	
65	2 ½	100	1,6	1,00	
80	3	160	2,6	1,60	
100	4	250	4,0	2,50	
125	5	400	6,4	4,00	
150	6	630	10	6,30	
200	8	1000	16	10,00	

The manufacturer guarantees only English text available on our web site www.isoil.com

(*) : Calibration flowrate 14000 m3/h - as for max rig flowrate L8
 (**) : Calibration flowrate 1400 m3/h - as for max test rig flowrate L7
 (***) Calibration flowrate 1100 m3/h - as for max test rig flowrate L6

MV145 / MV255

MI-001 OIML R49 CLASS2

The **MS2500** sensor's diameters listed below, coupled with **MV145/MV255**, are certified according to European Directive 2014/32/EU category MI-001 (OIML R49)

SIZE		Q3	Q2	Q1	R
mm	inch	m3/h			Q3/Q1
25	1	16	0,16	0,10	160
32	1 ¼	25	0,25	0,16	
40	1 ½	40	0,40	0,25	
50	2	63	0,63	0,39	
65	2 ½	100	1,0	0,63	
80	3	160	1,6	1,0	
100	4	250	2,5	1,6	
125	5	400	4,0	2,5	
150	6	630	6,3	3,9	
200	8	1000	10	6,3	
250	10	1600***	16	10	
300	12	2500**	25	16	
350	14	2500**	25	16	
400	16	4000**	40	25	
450	18	4000**	40	25	
500	20	6300	63	39	
600	24	10000	100	63	
700	28	10000	100	63	
800	32	16000*	160	100	
900	36	16000*	160	100	
1000	42	25000*	250	156	

SIZE		Q3	Q2	Q1	R
mm	inch	m3/h			Q3/Q1
25	1	16	0,10	0,06	250
32	1 ¼	25	0,16	0,10	
40	1 ½	40	0,26	0,16	
50	2	63	0,40	0,25	
65	2 ½	100	0,64	0,40	
80	3	160	1,0	0,64	
100	4	250	1,6	1,0	
125	5	400	2,6	1,6	
150	6	630	4,0	2,5	
200	8	1000	6,4	4,0	
250	10	1600***	10	6,4	
300	12	2500**	16	10	
350	14	2500**	16	10	
400	16	4000**	26	16	
450	18	4000**	26	16	
500	20	6300	40	25	
600	24	10000	64	40	
700	28	10000	54	40	
800	32	16000*	102	64	
900	36	16000*	102	64	
1000	42	25000*	160	100	

(*) : Calibration flowrate 14000 m3/h - as for max rig flowrate L8

(**) : Calibration flowrate 1400 m3/h - as for max test rig flowrate L7

(***) Calibration flowrate 1100 m3/h - as for max test rig flowrate L6

The **MS2500** sensor's diameters listed below, coupled with **MV145/MV255**, are certified according to European Directive 2014/32/EU category MI-001 (OIML R49)

SIZE		Q3	Q2	Q1	R
mm	inch	m3/h			Q3/Q1
25	1	16	0,06	0,04	400
32	1 ¼	25	0,10	0,063	
40	1 ½	40	0,16	0,10	
50	2	63	0,25	0,16	
65	2 ½	100	0,40	0,25	
80	3	160	0,64	0,40	
100	4	250	1,0	0,63	
125	5	400	1,6	1,0	
150	6	630	2,5	1,6	
200	8	1000	4,0	2,5	
250	10	1600***	6,4	4,0	
300	12	2500**	10	6,3	
350	14	2500**	10	6,3	
400	16	4000**	16	10	
450	18	4000**	16	10	
500	20	6300	25	16	
600	24	10000	40	25	
700	28	10000	40	25	
800	32	16000*	64	40	
900	36	16000*	64	40	
1000	42	25000*	100	63	

The manufacturer guarantees only English text available on our web site www.isoil.com

(*) : Calibration flowrate 14000 m3/h - as for max rig flowrate L8
 (**) : Calibration flowrate 1400 m3/h - as for max test rig flowrate L7
 (***) Calibration flowrate 1100 m3/h - as for max test rig flowrate L6

MV800 MI-001 OIML R49 CLASS1

The **MS2500** sensor's diameters listed below, coupled with **MV800**, are certified according to European Directive 2014/32/EU category MI-001 (OIML R49)

SIZE		Q3	Q2	Q1	R
mm	inch	m3/h			Q3/Q1
25	1	16	0,26	0,16	100
32	1 ¼	25	0,40	0,25	
40	1 ½	40	0,64	0,4	
50	2	63	1,01	0,63	
65	2 ½	100	1,60	1	
80	3	160	2,56	1,6	
100	4	250	4,00	2,5	
125	5	400	6,40	4	
150	6	630	10,08	6,3	

SIZE		Q3	Q2	Q1	R
mm	inch	m3/h			Q3/Q1
25	1	16	0,102	0,064	250
32	1 ¼	25	0,16	0,1	
40	1 ½	40	0,256	0,16	
50	2	63	0,403	0,252	
65	2 ½	100	0,64	0,4	
80	3	160	1,024	0,64	
100	4	250	1,6	1	
125	5	400	2,56	1,6	
150	6	630	4,032	2,52	

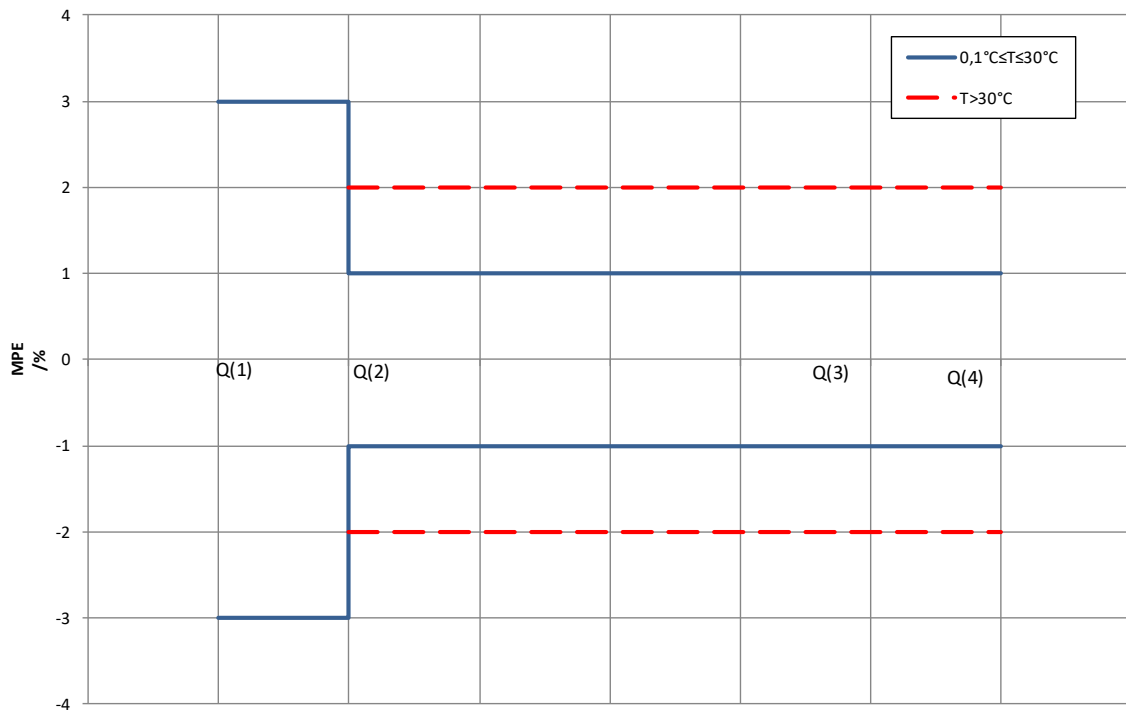
MV800 MI-001 OIML R49 CLASS2

The **MS2500** sensor's diameters listed below, coupled with **MV800**, are certified according to European Directive 2014/32/EU category MI-001 (OIML R49)

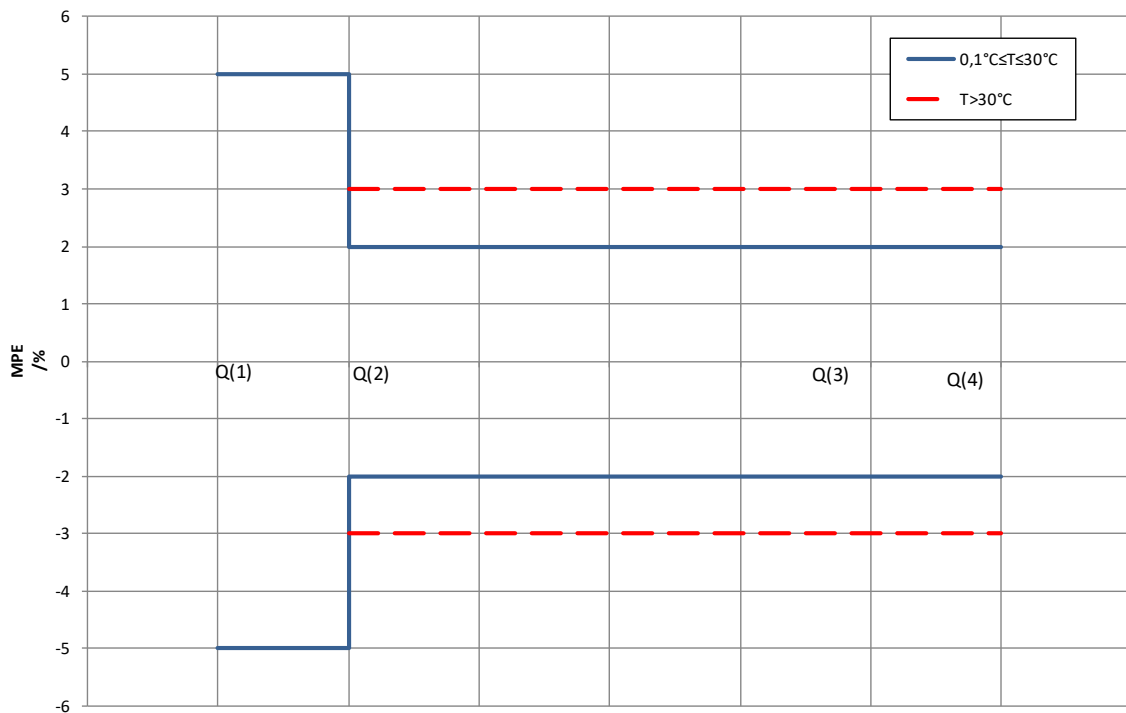
SIZE		Q3	Q2	Q1	R
mm	inch	m3/h			Q3/Q1
25	1	16	0,16	0,1	160
32	1 ¼	25	0,25	0,16	
40	1 ½	40	0,4	0,25	
50	2	63	0,63	0,39	
65	2 ½	100	1	0,63	
80	3	160	1,6	1	
100	4	250	2,5	1,6	
125	5	400	4	2,5	
150	6	630	6,3	3,9	
200	8	630	6,3	3,9	
250	10	630	6,3	3,9	

SIZE		Q3	Q2	Q1	R
mm	inch	m3/h			Q3/Q1
25	1	16	0,064	0,04	400
32	1 ¼	25	0,1	0,06	
40	1 ½	40	0,16	0,1	
50	2	63	0,252	0,16	
65	2 ½	100	0,4	0,25	
80	3	160	0,64	0,4	
100	4	250	1	0,63	
125	5	400	1,6	1	
150	6	630	2,5	1,6	

MPE - MI 001 - OIML R49 ACCURACY CLASS 1
(OIML R 49-1:2013 (E) - ISO4064-1:2017)



MPE - MI 001 - OIML R49 ACCURACY CLASS 2
(OIML R 49-1:2013 (E) - ISO4064-1:2017)



The manufacturer guarantees only English text available on our web site www.isoil.com

MV110 / MV110W / MV800

MI-004 CLASS1

The MS2500 sensor's diameters listed below, coupled with MV110 / MV110W / MV800, are certified according to European Directive 2014/32/EU category MI-004

SIZE		q _p	q _s	0,1 q _p	q _i	MC
mm	inch	m3/h				q _p /q _i
25	1	16	16	1,6	0,16	100
32	1 ¼	25	25	2,5	0,25	
40	1 ½	40	40	4	0,40	
50	2	63	63	6,3	0,63	
65	2 ½	100	100	10	1,00	
80	3	160	160	16	1,60	
100	4	250	250	25	2,50	
125	5	400	400	40	4,0	
150	6	630	630	63	6,3	
200	8	1000	1000	100	10	
250	10	1600*	1600	160	20,00	80
300	12	2500*	2500	250	31,25	
350	14	2500*	2500	250	31,25	
400	16	4000*	4000	400	50,00	

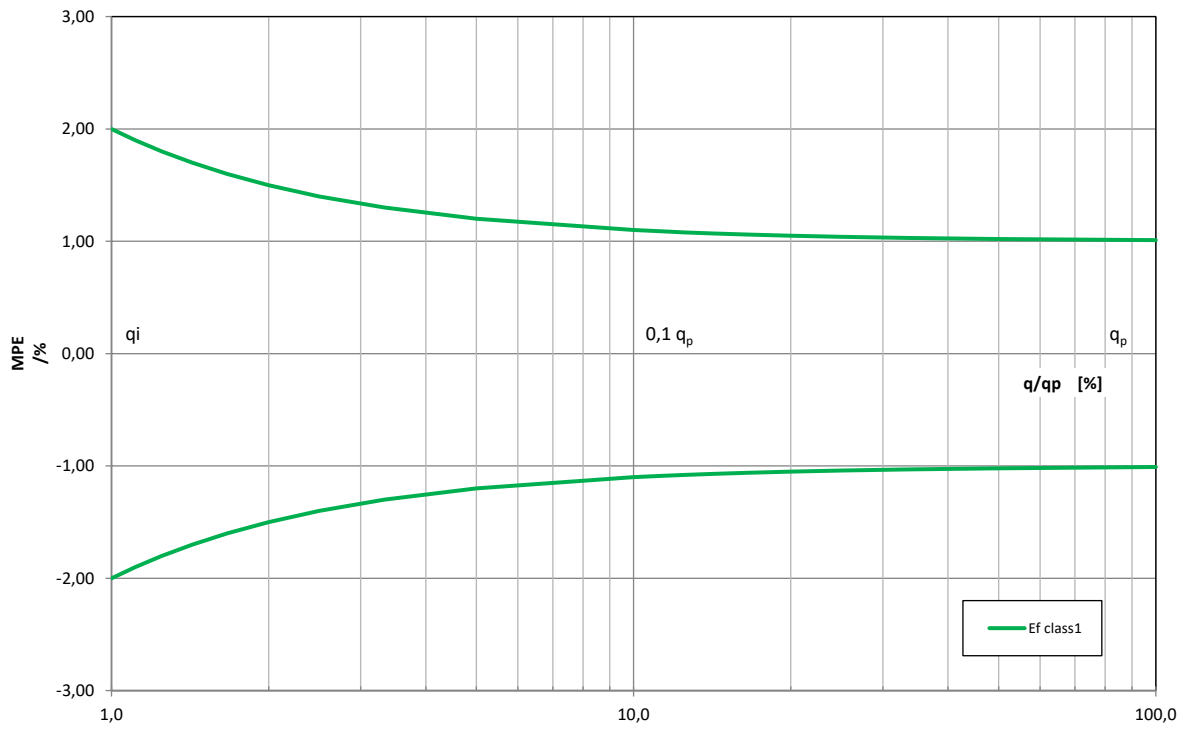
SIZE		q _p	q _s	0,1 q _p	q _i	MC
mm	inch	m3/h				q _p /q _i
25	1	10	16	1	0,2	50
32	1 ¼	16	25	1,6	0,32	
40	1 ½	25	40	2,5	0,5	
50	2	40	63	4	0,8	
65	2 ½	63	100	6,3	1,26	
80	3	100	160	10	2	
100	4	160	250	16	3,2	
125	5	250	400	25	5	
150	6	400	630	40	8	
200	8	630	1000	63	12,6	
250	10	1000	1600	100	20	
300	12	1600*	2500	160	32	
350	14	2500*	2500	250	50	
400	16	2500*	4000	250	50	

SIZE		q _p	q _s	0,1 q _p	q _i	MC
mm	inch	m3/h				q _p /q _i
25	1	10	16	1	0,4	25
32	1 ¼	16	25	1,6	0,64	
40	1 ½	25	40	2,5	1	
50	2	40	63	4	1,6	
65	2 ½	63	100	6,3	2,52	
80	3	100	160	10	4	
100	4	160	250	16	6,4	
125	5	250	400	25	10	
150	6	400	630	40	16	
200	8	630	1000	63	25,2	
250	10	1000	1600	100	40	
300	12	1600*	2500	160	64	
350	14	2500*	2500	250	100	
400	16	2500*	4000	250	100	

SIZE		q _p	q _s	0,1 q _p	q _i	MC
mm	inch	m3/h				q _p /q _i
25	1	10	16	1	1	10
32	1 ¼	16	25	1,6	1,6	
40	1 ½	25	40	2,5	2,5	
50	2	40	63	4	4	
65	2 ½	63	100	6,3	6,3	
80	3	100	160	10	10	
100	4	160	250	16	16	
125	5	250	400	25	25	
150	6	400	630	40	40	
200	8	630	1000	63	63	
250	10	1000	1600	100	100	
300	12	1600*	2500	160	160	
350	14	2500*	2500	250	250	
400	16	2500*	4000	250	250	

(*): Reduced flowrates to the test rig limits

MI 004 - MPE - ACCURACY CLASS 1
(UNI EN 1434-1:2016)



The manufacturer guarantees only English text available on our web site www.isoil.com

HOW TO ORDER

Code/ Example	Code/Description	
Nominal Diameter / Lining / Liquid temperature / Measuring range		
T100	P25	DN25 (1"), P.P. lining, liquid maximum temperature 60 °C measuring range 0...0,72/0...18 m3/h
	T25	DN25 (1"), PTFE lining, liquid maximum temperature 110 °C measuring range 0...0,72/0...18 m3/h
	T25HT	DN25 (1"), PFA lining, liquid maximum temperature 180 °C measuring range 0...0,72/0...18 m3/h
	P32	DN32 (1 1/4"), P.P. lining, liquid maximum temperature 60 °C measuring range 0...1,16/0...29 m3/h
	T32	DN32 (1 1/4"), PTFE lining, liquid maximum temperature 110 °C measuring range 0...1,16/0...29 m3/h
	T32HT	DN32 (1 1/4"), PFA lining, liquid maximum temperature 180 °C measuring range 0...1,16/0...29 m3/h
	P40	DN40 (1 1/2"), P.P. lining, liquid maximum temperature 60 °C measuring range 0...1,8/0...45 m3/h
	T40	DN40 (1 1/2"), PTFE lining, liquid maximum temperature 110 °C measuring range 0...1,8/0...45 m3/h
	T40HT	DN40 (1 1/2"), PFA lining, liquid maximum temperature 180 °C measuring range 0...1,8/0...45 m3/h
	P50	DN50 (2"), P.P. lining, liquid maximum temperature 60 °C measuring range 0...2,88/0...72 m3/h
	T50	DN50 (2"), PTFE lining, liquid maximum temperature 110 °C measuring range 0...2,88/0...72 m3/h
	T50HT	DN50 (2"), PFA lining, liquid maximum temperature 180 °C measuring range 0...2,88/0...72 m3/h
	R50	DN50 (2"), RILSAN lining, liquid maximum temperature 70 °C measuring range 0...2,88/0...72 m3/h
	P65	DN65 (2 1/2"), P.P. lining, liquid maximum temperature 60 °C measuring range 0...4,8/0...120 m3/h
	T65	DN65 (2 1/2"), PTFE lining, liquid maximum temperature 110 °C measuring range 0...4,8/0...120 m3/h
	T65HT	DN65 (2 1/2"), PFA lining, liquid maximum temperature 180 °C measuring range 0...4,8/0...120 m3/h
	R65	DN65 (2 1/2"), RILSAN lining, liquid maximum temperature 70 °C measuring range 0...4,8/0...120 m3/h
	P80	DN80 (3"), P.P. lining, liquid maximum temperature 60 °C measuring range 0...7,2/0...180 m3/h
	T80	DN80 (3"), PTFE lining, liquid maximum temperature 110 °C measuring range 0...7,2/0...180 m3/h
	T80HT	DN80 (3"), PFA lining, liquid maximum temperature 180 °C measuring range 0...7,2/0...180 m3/h
	R80	DN80 (3"), RILSAN lining, liquid maximum temperature 70 °C measuring range 0...7,2/0...180 m3/h
	P100	DN100 (4"), P.P. lining, liquid maximum temperature 60 °C measuring range 0...11,2/0...280 m3/h
	T100	DN100 (4"), PTFE lining, liquid maximum temperature 110 °C measuring range 0...11,2/0...280 m3/h
	T100HT	DN100 (4"), PFA lining, liquid maximum temperature 180 °C measuring range 0...11,2/0...280 m3/h
	R100	DN100 (4"), RILSAN lining, liquid maximum temperature 70 °C measuring range 0...11,2/0...280 m3/h
	P125	DN125 (5"), P.P. lining, liquid maximum temperature 60 °C measuring range 0...18/0...450 m3/h
	T125	DN125 (5"), PTFE lining, liquid maximum temperature 110 °C measuring range 0...18/0...450 m3/h
	T125HT	DN125 (5"), PFA lining, liquid maximum temperature 180 °C measuring range 0...18/0...450 m3/h
	R125	DN125 (5"), RILSAN lining, liquid maximum temperature 70 °C measuring range 0...18/0...450 m3/h
	P150	DN150 (6"), P.P. lining, liquid maximum temperature 60 °C measuring range 0...25,6/0...640 m3/h
	T150	DN150 (6"), PTFE lining, liquid maximum temperature 110 °C measuring range 0...25,6/0...640 m3/h
	T150HT	DN150 (6"), PFA lining, liquid maximum temperature 180 °C measuring range 0...25,6/0...640 m3/h
	R150	DN150 (6"), RILSAN lining, liquid maximum temperature 70 °C measuring range 0...25,6/0...640 m3/h
E200	DN200 (8"), Ebonite lining, liquid maximum temperature 80 °C measuring range 0...45,2/0...1130 m3/h	
T200	DN200 (8"), PTFE lining, liquid maximum temperature 110 °C measuring range 0...45,2/0...1130 m3/h	
T200HT	DN200 (8"), PFA lining, liquid maximum temperature 180 °C measuring range 0...45,2/0...1130 m3/h	
R200	DN200 (8"), RILSAN lining, liquid maximum temperature 70 °C measuring range 0...45,2/0...1130 m3/h	
E250	DN250 (10"), Ebonite lining, liquid maximum temperature 80 °C measuring range 0...70,8/0...1770 m3/h	
T250	DN250 (10"), PTFE lining, liquid maximum temperature 110 °C measuring range 0...70,8/0...1770 m3/h	
T250HT	DN250 (10"), PFA lining, liquid maximum temperature 180 °C measuring range 0...70,8/0...1770 m3/h	
R250	DN250 (10"), RILSAN lining, liquid maximum temperature 70 °C measuring range 0...70,8/0...1770 m3/h	
E300	DN300 (12"), Ebonite lining, liquid maximum temperature 80 °C measuring range 0...100,8/0...2520 m3/h	

	T300	DN300 (12"), PTFE lining, liquid maximum temperature 110 °C measuring range 0...100,8/0...2520 m3/h
	T300HT	DN300 (12"), PFA lining, liquid maximum temperature 180 °C measuring range 0...100,8/0...2520 m3/h
	R300	DN300 (12"), RILSAN lining, liquid maximum temperature 70 °C measuring range 0...100,8/0...2520 m3/h
	E350	DN350 (14"), Ebonite lining, liquid maximum temperature 80 °C measuring range 0...138/0...3450 m3/h
	T350	DN350 (14"), PTFE lining, liquid maximum temperature 110 °C measuring range 0...138/0...3450 m3/h
	R350	DN350 (14"), RILSAN lining, liquid maximum temperature 70 °C measuring range 0...138/0...3450 m3/h
	E400	DN400 (16"), Ebonite lining, liquid maximum temperature 80 °C measuring range 0...180/0...4500 m3/h
	T400	DN400 (16"), PTFE lining, liquid maximum temperature 110 °C measuring range 0...180/0...4500 m3/h
	R400	DN400 (16"), RILSAN lining, liquid maximum temperature 70 °C measuring range 0...180/0...4500 m3/h
	E450	DN450 (18"), Ebonite lining, liquid maximum temperature 80 °C measuring range 0...228,8/0...5720 m3/h
	T450	DN450 (18"), PTFE lining, liquid maximum temperature 110 °C measuring range 0...228,8/0...5720 m3/h
	E500	DN500 (20"), Ebonite lining, liquid maximum temperature 80 °C measuring range 0...284/0...7100 m3/h
	T500	DN500 (20"), PTFE lining, liquid maximum temperature 110 °C measuring range 0...284/0...7100 m3/h
	E550	(22"), Ebonite lining, liquid maximum temperature 80 °C measuring range 0...348/0...8712m3/h
	E600	DN600 (24"), Ebonite lining, liquid maximum temperature 80 °C measuring range 0...408/0...10200 m3/h
	T600	DN600 (24"), PTFE lining, liquid maximum temperature 110 °C measuring range 0...408/0...10200 m3/h
	E650	(26"), Ebonite lining, liquid maximum temperature 80 °C measuring range 0...480/0...12000 m3/h
	T650	(26"), PTFE lining, liquid maximum temperature 110 °C measuring range 0...480/0...12000 m3/h
	E700	DN700, Ebonite lining, liquid maximum temperature 80 °C measuring range 0...560/0...14000 m3/h
	T700	DN700, PTFE lining, liquid maximum temperature 110 °C measuring range 0...560/0...14000 m3/h
	E750	(30"), rEbonite lining, liquid maximum temperature 80 °C measuring range 0...640/0...16000 m3/h
	T750	(30"), PTFE lining, liquid maximum temperature 110 °C measuring range 0...640/0...16000 m3/h
	E800	DN800, Ebonite lining, liquid maximum temperature 80 °C measuring range 0...720/0...18000 m3/h
	T800	DN800, PTFE lining, liquid maximum temperature 110 °C measuring range 0...720/0...18000 m3/h
	E850	(34"), Ebonite lining, liquid maximum temperature 80 °C measuring range 0...820/0...20500 m3/h
	T850	(34"), PTFE lining, liquid maximum temperature 110 °C measuring range 0...820/0...20500 m3/h
	E900	DN900 (36"), Ebonite lining, liquid maximum temperature 80 °C measuring range 0...920/0...23000 m3/h
	T900	DN900 (36"), PTFE lining, liquid maximum temperature 110 °C measuring range 0...920/0...23000 m3/h
	E1000	DN1000 (40"), Ebonite lining, liquid maximum temperature 80 °C measuring range 0...1140/0...28500 m3/h
	T1000	DN1000 (40"), PTFE lining, liquid maximum temperature 110 °C measuring range 0...1140/0...28500 m3/h
	E1050	DN1050 (42"), Ebonite lining, liquid maximum temperature 80 °C measuring range 0...1270/0...31752 m3/h
	E1200	DN1200 Ebonite lining, liquid maximum temperature 80 °C PN 16 measuring range -1.600 - 40.000 m3/h
	E1400	DN 1400 Ebonite lining, liquid maximum temperature 80 °C PN 16 measuring range - 2.200 - 55.000 m3/h
	E1600	DN 1600 Ebonite lining, liquid maximum temperature 80 °C PN 16 measuring range - 2.880 - 72.000 m3/h
	E1800	DN1800 Ebonite lining, liquid maximum temperature 80 °C PN 16 measuring range - 3.640 - 91.000 m3/h
Gasket material (internal tightness - only PP lining)		
A	A	No O-Ring (ONLY FOR PTFE/EBANITE/RILSAN LINING)
	B	O-Ring : FKM
	C	O-Ring : Edpm
	Z	O-Ring : to be specified

Flange type		
1	1	Flange EN1092 PN16 (standard with Polypropilene lining)
	2	Flange EN1092 PN10
	3	Flange EN1092 PN25
	4	Flange EN1092 PN40 (standard with PTFE liner up to DN50)
	5	Flange EN1092 PN64
	6	Flange ANSI 150RF
	7	Flange ANSI 300RF
	8	Flange EN1092 PN6
	9	Flange JIS 10K
	0	Flange: to be specified
Body and Flanges material		
A	A	Body and flange in Carbon Steel painted
	B	Body and flange in Stainless Steel (AISI304) (NOT AVAILABLE FOR LINING IN RILSAN)
	C	Body and flange in Stainless Steel (AISI316) (NOT AVAILABLE FOR LINING IN RILSAN)
	D	Body and flange in Carbon Steel painted according to UNI/EN/ISO 12944-2-C4
	E	Body and flange in Carbon Steel painted according to UNI/EN/ISO 12944-2-C5
	Z	Body and flange material: other
Number and electrodes materia		
2	2	n. 3 (2 measure + 1 for ground) electrodes in AISI316L
	4	n. 3 (2 measure + 1 for ground) electrodes in Hastelloy C276
	5	n. 3 (2 measure + 1 for ground) electrodes in Titanium
	6	n. 3 (2 measure + 1 for ground) electrodes in Tantalum; not available with Polypropilene/Rilsan
	7	n. 3 (2 measure + 1 for ground) electrodes in Platinum; not available with Polypropilene/Rilsan (MAX DN = 50)
	0	Electrode material: to be specified
Version / Sensor protection class		
A	A	Compact version , IP67 protection rate
	B	Separate version, Painted Aluminum JB, protection rate IP68, standing immersion with 1,5 m of head water - (DEFINE THE LENGHT - ADD THE COST)
	G	Separate version, Painted Aluminum JB, N° 1 connectors IP 68 suitable for fast cable connections - (DEFINE THE LENGHT - ADD THE COST)
	F	Separate version, Painted Aluminum JB, N° 2 connectors IP 68 suitable for fast cable connections - (DEFINE THE LENGHT - ADD THE COST)
	N	Separate version, Painted Aluminum JB , PREAMPLIFIER*, protection rate IP67 - (DEFINE THE CABLE LENGHT MAX 500 m-ADD THE COST)
	Q	Separate version, Painted Aluminum JB, PREAMPLIFIER*, N° 1 connectors IP 68 suitable for fast cable connection - (DEFINE THE LENGHT MAX 500 m-ADD THE COST)
	U	Separate version, AISI 304 JB RAW, protection rate IP68, standing immersion with 1,5 m of head water - (DEFINE THE LENGHT - ADD THE COST)
	S	Separate version, AISI 304 JB RAW, with N° 1 connectors IP 68 suitable for fast cable connections - (DEFINE THE LENGHT - ADD THE COST)
	T	Separate version, AISI 304 JB RAW, N° 2 connectors IP 68 suitable for fast cable connections - (DEFINE LENGHT - ADD THE COST)
	P	Separate version, AISI 304 JB RAW, PREAMPLIFIER*, protection rate IP67 - (DEFINE THE LENGHT MAX 500 m-ADD THE COST)
	R	Separate version, AISI 304 JB RAW, PREAMPLIFIER* N° 1 connectors IP 68 suitable for fast cable connections to - (DEFINE THE LENGHT MAX 500 m-ADD THE COST)
	K	Separate version, AISI 304 JB POLISHED, protection rate IP68, standing immersion with 1,5 m of head water - (DEFINE THE LENGHT - ADD THE COST)

Y	Separate version, AISI 304 JB POLISHED, with N° 1 connectors IP 68 suitable for fast cable connections - (DEFINE THE LENGHT - ADD THE COST)
W	Separate version, AISI 304 JB POLISHED, N° 2 connectors IP 68 suitable for fast cable connections - (DEFINE THE LENGHT - ADD THE COST)
V	Separate version, AISI 304 JB POLISHED, PREAMPLIFIER*, protection rate IP67 - (DEFINE THE LENGHT MAX 500 m-ADD THE COST)
J	Separate version, AISI 304 JB POLISHED, PREAMPLIFIER* N° 1 connectors IP 68 suitable for fast cable connections to - (DEFINE THE LENGHT MAX 500 m-ADD THE COST)
*	Compact Version Customized

Complete code
example for
order

MS2500 -T100-A1A2A

ISOIL INDUSTRIA S.p.A.

HEAD OFFICE	SERVICE
Via Fratelli Gracchi, 27 20092 Cinisello Balsamo (MI) Tel +39 02 66027.1 Fax +39 02 6123202 sales@isoil.it	service@isoil.it

If you want to find the complete list of our distributors access at the following link:
<http://www.isoil.it/en>



Due to the constant technical development and improvement of its products, the manufacturer reserves the right to make changes and/or modify the information contained in this document without notice.